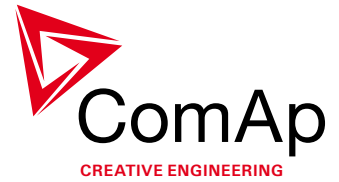


PRODUCT GUIDE

Electronic edition – Drive Power Controllers





The interactive simulator provides a taste of the new InteliVision, with demo and preview options illustrating screen information and function.



**simulator
ONLINE**

InteliVision

InteliVision is a new generation colour display unit for either InteliGen^{NT} / InteliSys^{NT} or InteliDrive controllers. It is designed as a simple, easy to use Plug and Play solution, which also features our unique TRENDS monitoring as a standard feature.

It is the first colour display in the Power Generation field. More info on page 54.



www.comap.cz/intelivision



SWITCHED ONTO INNOVATION

InteliDrive® MOBILE

The InteliDrive Mobile is a highly flexible sophisticated mobile electronic controller, which features outstanding control, monitoring and protection for diesel and gas engines as well as driven technology.

The new controller offers range of specific functions suitable for mobile applications as hydraulic system control, communication with sensors and operational devices control.

Most commonly, these tailored applications meet the specific control requirements of mobile hydraulics, engine driven compressors and pumps.



InteliCompact^{NT}

InteliCompact^{NT} models are new integrated controllers for gen-sets operating in both standby and parallel modes. Functionality, optimized for ease of use, installation and configuration, includes built-in synchronizer and digital isochronous load sharer.

... more on page 14

ATION



more on page 40



IntelIATS^{NT}

The new IntelIATS^{NT} controllers are designed to monitor the incoming AC mains supply (1 or 3 phases) for under voltage, over voltage, under frequency, over frequency and voltage unbalance.

... more on page 8



WELCOME TO OUR PRODUCT GUIDE

Following the positive feedback from our first Product Guide we have updated the second issue with more information on an ever-growing range of control products. In the meantime, our design and development teams have worked very hard to create exciting new control solutions to meet customers' application needs – all of which are detailed in the new guide.

We hope you find it just as useful and practical as before. Inside you will find technical information, product features and functions, alongside customer feedback on how the products have performed in the field. Hearing what you think is very important to us, so if you would like to share your experience of using our products please let us know by emailing your story to info@comap.cz

Overall the offers a comprehensive guide to our entire range of products and accessories. I hope you find it both helpful and invaluable.

Regards
Libor Mertl – Managing Director



CONTENT

Power Generation Controllers	7
ATS controllers	8
Gen-set controllers	10
Generator controllers	28
Drive Power Controllers	33
Engine controllers	34
Off-road machinery controllers	40
Associated Control Products	43
Accessories	44
PC tools	58
Mains protections	63
Electronic potentiometers	64
Applications	65
Power generation applications	66
Drive power applications	78
About ComAp	89

What do all those abbreviations mean? It's easy. Go to page 62!



IA-NT, IL-NT, IC-NT, MC-NT, IG-NT,
IS-NT, IGS-NT, IM-NT, ID, IV ...



Drive Power Controllers

Engine controllers

34

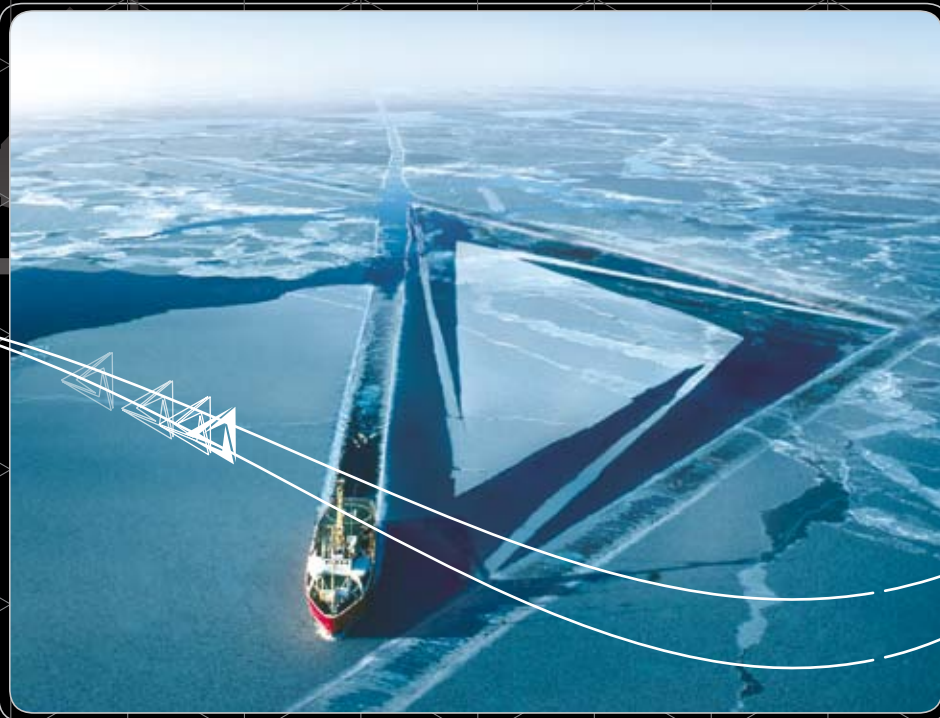
The ComAp family of engine controllers offers innovative and universal system integration for a wide range of engine driven platforms and applications. With a proven track record of working in the most demanding environments, IntelliDrive controllers deliver unparalleled command, control and communication advantages.

The full range provides individually tailored solutions meeting the precise needs of marine auxiliary, emergency and propulsion engines as well as land based platforms such as engine driven pumps, compressors, crushers and screeners.

Off-road machinery controllers

40

Our off-road engine control products are a recent development designed to meet the specific requirements of mobile equipment and as such are capable of withstanding shock loadings and machine vibration typically experienced in the construction, quarrying and engineering sectors.



InteliDrive Lite

ENGINE CONTROLLER FOR GENERAL PURPOSES

The InteliDrive Lite is a cost effective sophisticated engine controller, which features outstanding control, monitoring and protection for both mechanical and electronic diesel / gas engines in one unit. The extended product family offers a range of engine specific versions suitable for land-based and marine non-classified applications.

It can communicate via standard and proprietary CAN J1939 communication protocols to a wide range of EFI engines, which include Caterpillar, Cummins, Deutz, Detroit Diesel, GM, Iveco, Isuzu, John Deere, MAN, MTU, Perkins, Scania, Sisu, Volvo Penta and others. The controller comes with LiteEdit PC software enabling the user to freely configure the inputs and outputs to suit individual requirements.

Like all ComAp products, InteliDrive Lite features a powerful graphic display providing user-friendly information in an easy to understand format. Real time clock and event and performance history log are priceless when it comes to troubleshooting. Remote control and monitoring is possible via analog/GSM modem or Internet. Instrumentation of internal values on analog gauge makes it easy to use, even for untrained personnel.



Benefits

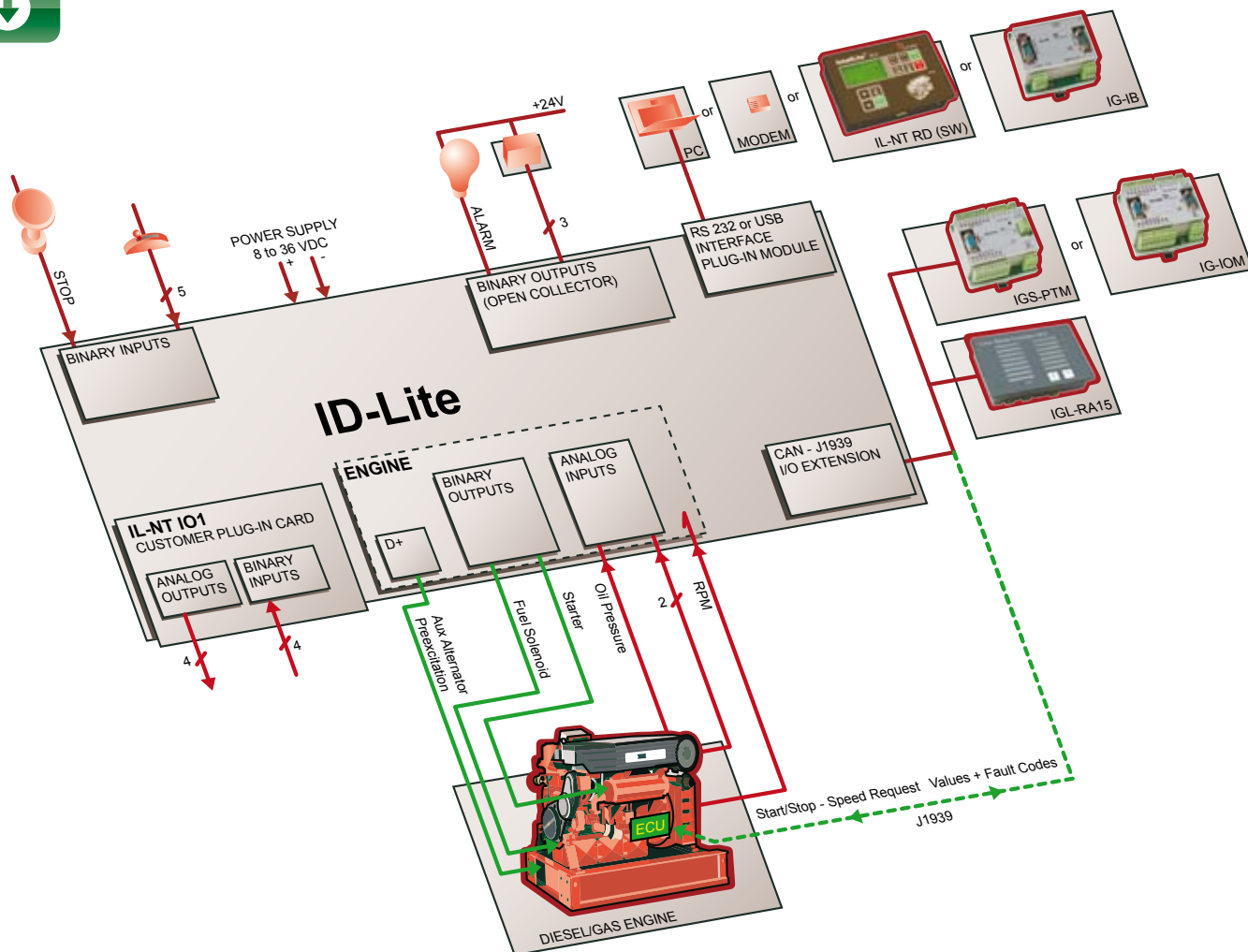
- Integrated solution – less wiring and components
- Slave panel available – economical solution for remote control
- Analog gauge (VDO, Datcon, ...) outputs – operator friendly
- History log – easy troubleshooting
- Less engineering and programming
- Perfect price/performance ratio

Features

- Engine control, monitoring and protection
- Support of engines equipped with Electronic Control Unit – J1939 or Cummins Modbus interface
- 6 configurable binary inputs and outputs, 3 configurable analog inputs
- VDO type analog gauges outputs – 8 configurable channels
- Selectable protections alarm/shutdown
- Setpoints adjustable via keyboard or PC
- 1 level of password protection
- USB, RS485 or RS232/Modem/Modbus communication
- Real time clock and event history log
- Analog oil pressure, water temperature, fuel level, battery voltage, engine speed (pick-up)
- Automatic or manual start/stop of the engine
- Push buttons for simple control, lamp test
- Graphic back-lit LCD display 128 × 64 pixels
- 2 LED indicators
- Front panel sealed to IP65
- Power supply 8–36 VDC
- Operating temperature:
 - 20°C to +70°C regular unit
 - 40°C to +70°C low temperature unit
- InteliDrive Lite controller meets several standards (EN, UL, CSA, NFPA...)

**ENGINE CONTROLLER
FOR GENERAL
PURPOSES**

InteliDrive Lite



Communication modules and PC tools

- IB-Lite see page 50
- IG-IB see page 51
- IL-NT RS232 see page 52
- IL-NT RS232-485 see page 52
- IL-NT S-USB see page 52
- WinScope see page 59
- LiteEdit see page 62

Extension modules and rem. displ.

- IG-IO1 see page 46
- IGL-RA15 see page 46
- IGS-PTM see page 47
- IL-NT AOUT8 see page 48
- IL-NT IO1 see web pages
- IL-NT RD (SW) see web pages

Relay board I-RB8

- 8 relays for ID-Lite binary outputs separation
- Each channel has both n.o. and n.c. contacts available
- LED state indication
- see page 57

Slovakia

Ski and chair lifts

"We produce ski and chair lifts under license to a French company called Poma for more than 30 years. The current design of lift uses two drive sources to move the facility, with the main source being an electric engine, and the emergency source consists of a diesel engine and a hydraulic pump.

Since adopting ComAp controllers we now feel that the operation of the lift is more comfortable and the service staff can get more information from the application. We are pleased to confirm we have experienced no problems with the controllers."

Daniel Uhrin
Electric designer
www.tatrapoma.sk



The InteliDrive DCU Industrial is a highly flexible sophisticated engine controller, which features outstanding control, monitoring and protection for both mechanical and electronic diesel / gas engines as well as peripheral equipment. The extended product family offers a range of engine specific versions suitable for land-based applications. Most commonly, these tailored applications meet the specific control requirements of engine driven compressors and pumps.

InteliDrive can communicate via standard and proprietary CAN J1939 communication protocols to a wide range of EFI engines, which include Caterpillar, Cummins, Deutz, Detroit Diesel, GM, Iveco, Isuzu, John Deere, MAN, MTU, Perkins, Scania, Sisu, Volvo Penta and others. Designed to be highly flexible, InteliDrive can be expanded by means of additional modules to offer over 100 binary inputs and outputs.

The set of PLC (analog and binary) functions is available in the standard software and can be used by the customer to control and regulate drive-train components.

Like all ComAp products, InteliDrive features a powerful graphic display providing user-friendly information in an easy to understand format – not only for professionals but also for occasional users. The diagnostic information is available in intelligible plain text instead of potentially misleading cryptic codes or flashing lights.

Remote control and monitoring is possible via analog/GSM modem, SMS or Internet.

**MODULAR ENGINE
CONTROLLER
FOR INDUSTRIAL
APPLICATIONS**

InteliDrive DCU Industrial

MODULAR ENGINE CONTROLLER FOR INDUSTRIAL APPLICATIONS

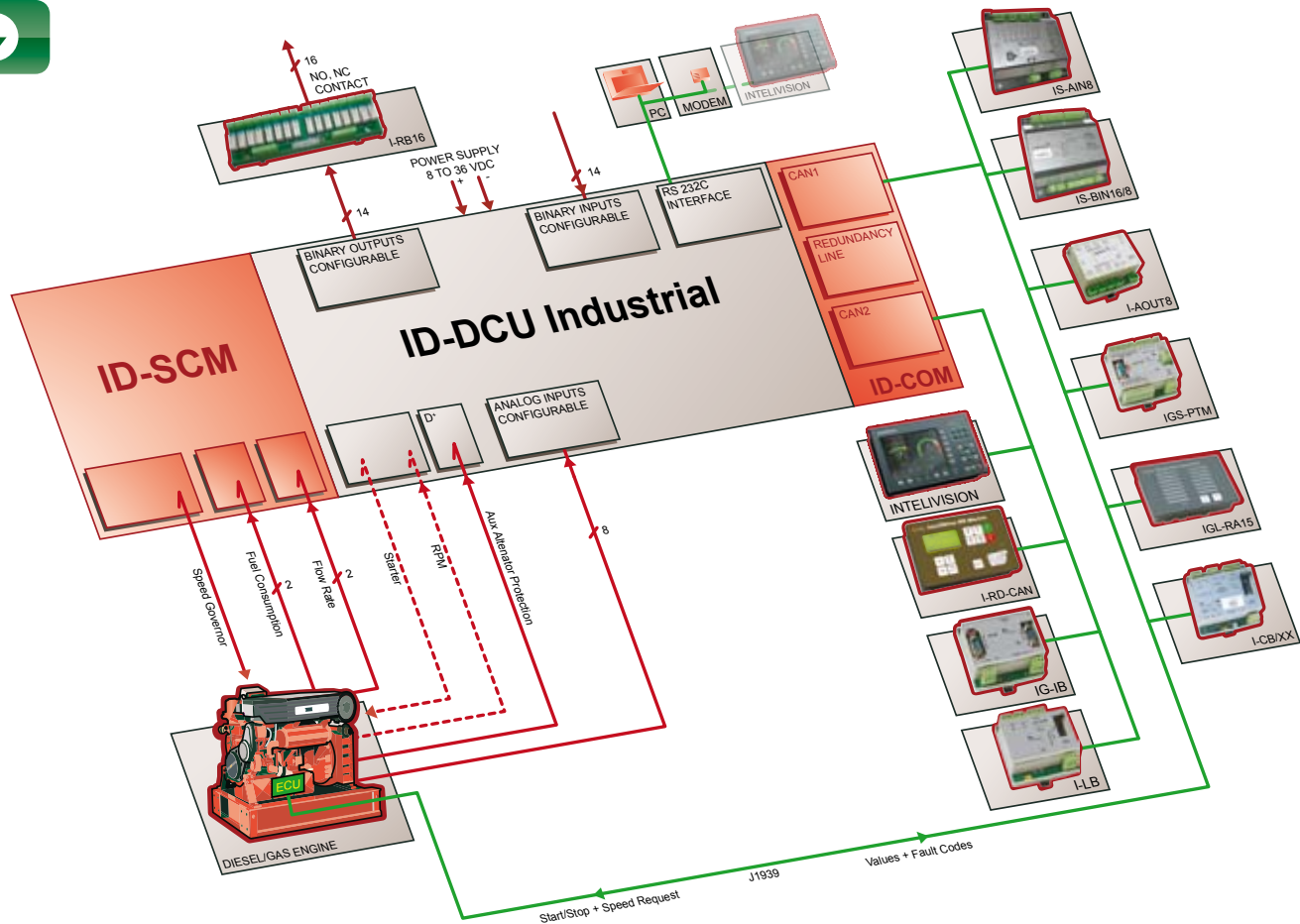


Benefits

- Integrated solution with hardwired safety functions – less wiring and components
- Full communication support of engines with ECU – simpler wiring, access to information from ECU via Modbus
- Event driven History record, easy backtracking and problem solving
- Load sharing for propulsion engines – better utilization of power of installed engines
- Slave panels available – economical solution of remote control
- Integrated clutch control – less wiring and components
- Many types of communication – easy supervision and servicing
- Perfect price/performance ratio
- Built-in PLC-integrated control of compressors, pumps or other driven technology

Features

- Engine control, monitoring and protection
- 14 binary inputs, 14 binary outputs, 8 analog inputs
- RS232/Modem/Modbus/Internet communication
- Engine measurement from sensors or via J1939
- Input/output and J1939 configuration
- Running hours meter, number of starts counter
- Graphic back-lit LCD display with icons and bar graphs
- Sealed membrane panel to IP65
- 180 × 120 mm front panel mounted case
- Operating temperature:
 - 20 to +70 °C regular unit
 - 40 to +70 °C low temperature unit
- 3 level password protection
- InteliDrive controller meets several forcing counter standards (EN, UL, CSA, NFPA, ...)
- Internal – configurable PLC functions



Speed control modules ID-SCM, ID-SCM1

- 2× RPM, 2× IMP, 3× AOUT
- see page 45

Communication interface ID-COM

- Multi-controller and/or Remote display communication and/or IG-IB and/or I-LB / I-LB+
- see page 51

Comm. modules and PC tools

- IG-IB see page 51
- I-LB / I-LB+ see page 52
- I-CB see page 53
- DriveMonitor see page 58
- WinScope see page 59
- DriveConfig see page 60

Configurable PLC functions

- Logical functions: AND, OR, XOR, RS
- Comparators with delay or with hysteresis
- Analog switch from two inputs to one output
- Math. functions: ADD, SUB, MAX, MIN, AVG
- Linear interpolation, Moving average
- PID loops with analog or binary outputs
- Counters, Timers, Delay functions
- History and protection forcing

Extension modules and rem. displ.

- up to 4× I-AOUT8 see page 44
- up to 4× IGL-RA15 see page 46
- up to 4× IGS-PTM see page 47
- up to 4× IS-AIN8 see page 48
- up to 4× IS-BIN16/8 see page 49
- up to 2× I-RD-CAN see page 53
- up to 3× IntelliVision see page 54

Relay board I-RB8 / I-RB16

- 8 or 16 relays for ID-DCU (ID-RPU) binary outputs separation
- Each channel has both n.o. and n.c. contacts available
- LED state indication
- see page 57

Australia

Schlumberger

InteliDrive DCU Industrial is used to control and monitor a CAT3412 powered very high pressure water pump supplied by EPSA of South Australia. It is installed on a gas field in the Cooper Basin to improve gas recovery on site.

The system, which was designed, supplied and commissioned by Greenbird (www.greenbird.com.au) uses InteliDrive Industrial plus IS-AIN8 to measure all of the engine, drive and pump values via explosion proof 4–20 mA sensors. The application is double-fronted to protect from weather and dust.



InteliDrive DCU Marine

MODULAR ENGINE CONTROLLER FOR MARINE APPLICATIONS

The InteliDrive DCU Marine is an engine controller designed specially to meet the demanding needs of the marine market, providing a high level of performance coupled with extensive communication capabilities and incorporating hardwired safety functions and primary/secondary power switching.

The controller is easily integrated into the ship's control system and takes on board the full communication capability with electronic engines. ComAp developed this capability for their market leading gen-set controllers through the use of J1939 and redundant J1587 communication buses.

This engine specific approach enables InteliDrive DCU Marine to communicate fully with the engine's Electronic Control Unit (ECU), delivering a greater range of values and most importantly delivering all diagnostic information in intelligible plain text, instead of potentially misleading cryptic codes or flashing lights.

The unit provides users with a highly flexible solution, featuring configurable inputs and outputs, allowing the controller to be customized to a particular application or requirement without complicated programming.



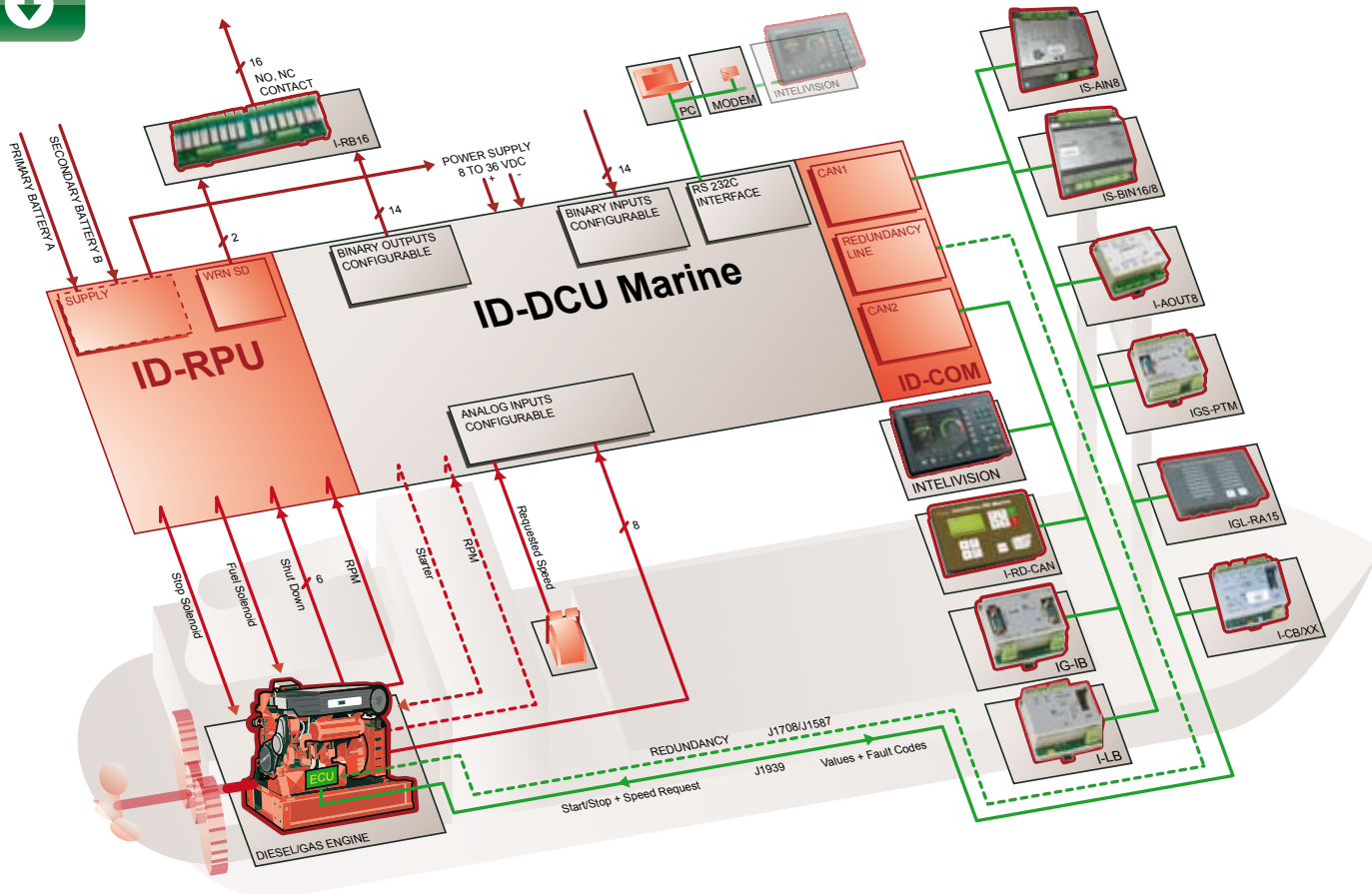
Benefits

- Integrated solution with hardwired safety functions – less wiring and components
- Full communication support of engines with ECU – simpler wiring, access to information from ECU via Modbus
- Event driven History record, easy backtracking and problem solving
- Load sharing for propulsion engines – better utilization of power of installed engines
- Slave panel available – economical solution of remote control
- Integrated clutch control – less wiring and components
- Many types of communication – easy supervision and servicing
- Perfect price/performance ratio
- Type approval from 10 major certification societies

Features

- Engine control, monitoring and protection
- 14 binary inputs and outputs, 8 analog inputs
- RS232/Modem/Modbus/Internet communication
- Redundant module ID-RPU with hardwired safety functions activated in backup mode
- Switching between primary and secondary battery (with ID-RPU module)
- Automatic switchover to backup mode in case of detection of main unit failure
- Internal – configurable PLC functions
- Graphical screen with icons and bar graphs
- Event and time driven history record for backtracking
- Different engine application support: Auxiliary, Emergency/Harbour, Propulsion
- Clutch control for propulsion engines
- Symmetrical load sharing for propulsion engines with J1939 (via CAN bus)
- Extension modules for expandable number of Inputs/Outputs (connected via CAN bus)
- Slave panels for remote control available
- Inputs/Outputs configuration
- Configurable list of values that are read from J1939 bus
- Support of redundant J1587 communication bus
- Direct speed/load control via J1939 or J1587 buses
- Diagnostic information from J1939 or J1587 displayed in plain intelligible text
- Configurable Modbus and Modbus TCP support for easy integration into the ship's control system

**MODULAR ENGINE
CONTROLLER FOR
MARINE APPLICATIONS**



Redundant power module ID-RPU

- Supervision of ID-DCU Marine in stand by mode
- Automatic back up mode activation if the main unit fails
- Hardwired safety functions in back up mode
- 1 emergency stop normally opened
- 5 shutdown channels with broken wires detection
- Fuel and Stop solenoids with broken wires detection
- Automatic switchover between primary and secondary battery
- Common alarm and Common shutdown outputs
- It is possible to use ID-SCM (see page 45) when ID-RPU is not connected
- see page 44

Communication interface ID-COM

- Multi-controller and/or Remote display communication and/or IG-IB and/or I-LB / I-LB+
- Redundancy line J1708/J1587
- see page 51

Comm. modules and PC tools

- **IG-IB** see page 51
- **I-LB / I-LB+** see page 52
- **I-CB** see page 53
- **DriveMonitor** see page 58
- **WinScope** see page 59
- **DriveConfig** see page 60

Extension modules and rem. displ.

- up to 4× **I-AOUT8** see page 44
- up to 4× **IGL-RA15** see page 46
- up to 4× **IGS-PTM** see page 47
- up to 4× **IS-AIN8** see page 48
- up to 4× **IS-BIN16/8** see page 49
- up to 2× **I-RD-CAN** see page 53
- up to 3× **InteliVision** see page 54

Relay board I-RB8 / I-RB16

- 8 or 16 relays for ID-DCU (ID-RPU) binary outputs separation
- Each channel has both n.o. and n.c. contacts available
- LED state indication
- see page 57

Argentina

Ferry boats

"When we upgraded our ship Flecha de Buenos Aires we chose InteliDrive for control, monitoring and engine protection. Our experience of using InteliDrive has been very positive due its high performance, versatility and the optional extensions that this equipment has as additional tools.

The controllers are easy and friendly to operate in their daily use and have been well accepted. It is with this confidence we are now using InteliDrive on our sister vessel Atlantic III to control and monitor four automated gen-sets."

Raúl Tavernelli
Vice-President and Technical Manager
www.ferrylineas.com.ar



InteliDrive Mobile

ELECTRONIC CONTROLLER FOR MOBILE APPLICATIONS



The InteliDrive Mobile is a highly flexible sophisticated mobile electronic controller, which features outstanding control, monitoring and protection for diesel and gas engines as well as driven technology. The new controller offers range of specific functions suitable for mobile applications as hydraulic system control, communication with sensors and operational devices control.

Most commonly, these tailored applications meet the specific control requirements of mobile hydraulics, engine driven compressors and pumps.

InteliDrive Mobile has been specially designed for harsh environments where mobile machinery is typically used. The unit construction features a fully environmentally sealed enclosure and connector, vibration and EMC robustness along with a wide temperature operating range.

InteliDrive Mobile can communicate via standard and proprietary CAN J1939 communication protocols to a wide range of EFI engines, which include Caterpillar, Cummins, Detroit Diesel, Deutz, GM, Iveco, Isuzu, John Deere, MAN, MTU, Perkins, Scania, Sisu, Volvo Penta and others.

The set of PLC (analog and binary) functions is available in the standard software for control of driven technology. Predefined highly flexible functional blocks enable to create a control algorithm without the need for complex programming. CAN-bus and RS485 communication lines together with optional internal GSM modem and GPS module give perfect overview of system status to both local operator and technician in remote monitoring center.

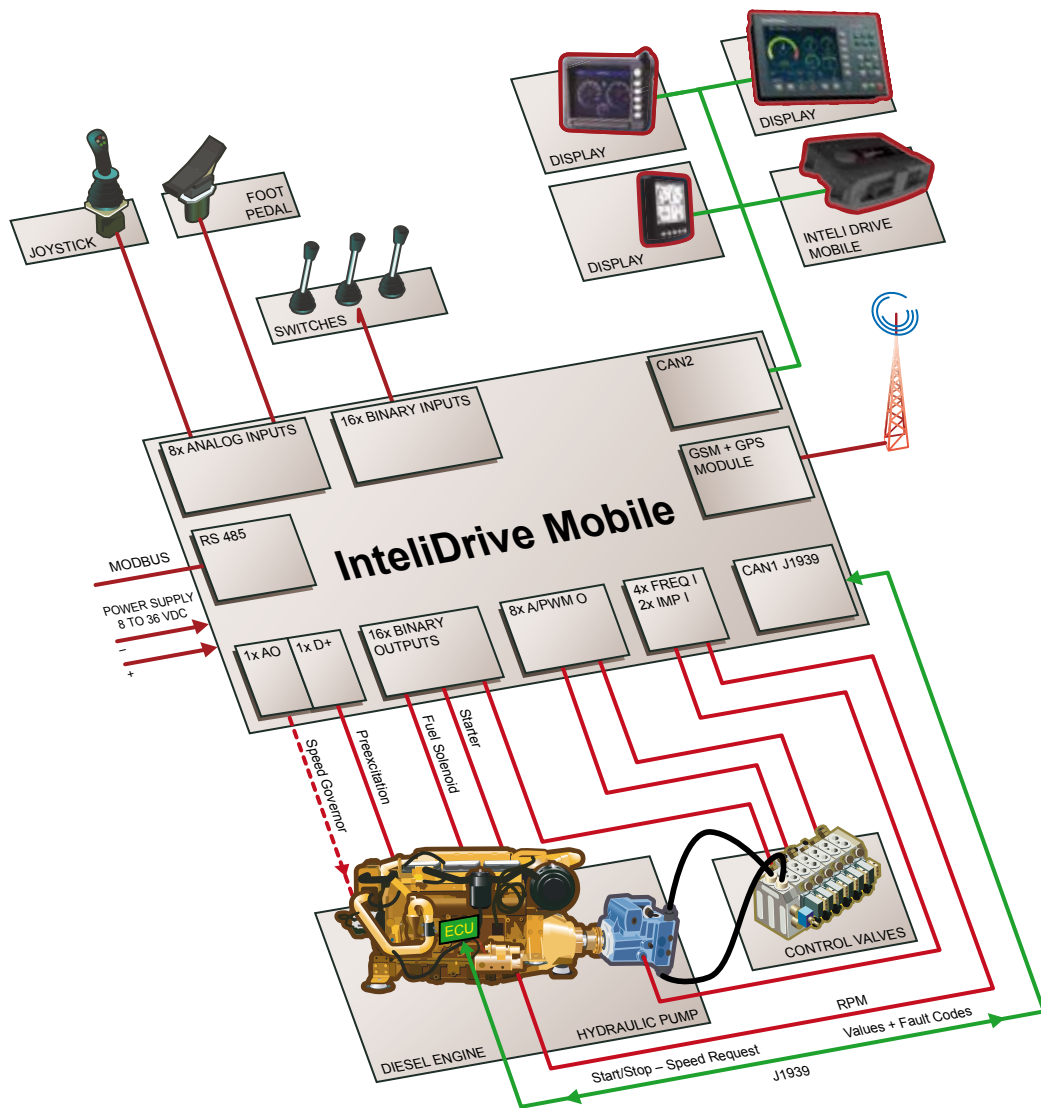
**ELECTRONIC
CONTROLLER FOR
MOBILE APPLICATIONS**

Benefits

- Integrated solution, less wiring and components
- Engine specific, plug and play support of engines with ECU – access to all available values, without the need for programming
- Designed specifically for harsh environment – trouble free operation in all conditions
- Built-in Event & Performance Log – easy troubleshooting and warranty claim handling
- Remote monitoring support – reduced call-out costs of service engineers
- Fleet management program with GPS localization of supervised machines available
- History log out – monitoring of wide range of parameters

Features

- J1939 support with Input/Output configuration
- Engine measurement and control by sensors and actuators or via J1939
- Optional internal GSM+GPS modem
- Internal – configurable PLC functions: Logical functions, Comparators with delay or hysteresis, Analog switches, Mathematical functions, Linear interpolation, Filters, PID loops with analog or binary outputs, Counters, Timers, Delay functions
- 4 Binary inputs with detection of broken wire
- 12 Binary bi-directional inputs for contacts switching
- 8 Binary switches configurable as:
 - Hi-side switches 3A with detection of broken wire
 - Low-side switches 3A
 - PWM switches 3A
 - Stepper motor driver
- 8 Binary Hi-side switches with max. current 3A and detection of broken wire
- 8 Analog inputs configurable for industry standard sensors
- 8 Analog inputs/outputs configurable as:
 - voltage outputs compatible with hydraulic proportional control valves
 - 4–20 mA current output
- 2 Impulse inputs for rotary flowmeters
- 4 Frequency inputs for RPM measurement
- Running-hours meter, number of starts counter
- RS485 communication line with Modbus
- CAN-bus line for connection of external display
- Operating temperature: –40 to +70°C
- Supply voltage: 8–36 VDC continuously, 6 VDC for 1s
- EMC compatibility: EN61000-6-1/2/3/4, SS4631503(PL4), IEC 255-3
- Vibration resistivity: IEC 60068-2-6, 10–58 Hz 0.15 mm, 58–150 Hz 2g, 58–150 Hz 10g
- Functional safety according to IEC 61508
- Shock test: IEC 68-2-27
- Dust and water protection IP67



Various displays available

- 4,25" FTSN
- 160×128 pixels
- 110×110×38,5 mm
- 6,5" VGA
- 640×480 pixels
- 203,5×162,5×74,7 mm
- 8" TFT
- 800×600 pixels
- 289,5×186×40 mm



Assorted Applications

- Agricultural machines
- Construction machinery
- Cranes
- Fire-fighting equipment
- Forestry machines
- Maintenance equipment
- Material handling
- Military
- Mining
- Municipal vehicles



FUNCTION OVERVIEW OF ID CONTROLLERS

	InteliDrive Lite	InteliDrive DCU Industrial	InteliDrive DCU Marine	InteliDrive Mobile
Binary inputs	6 + 1 RPM	14 + 1 RPM	14 + 1 RPM	16× Digital inputs (4 BW detection) 4× Frequency inputs 2× Impulse inputs
Total binary inputs (with additional modules)	14×	78×	78×	32× in master – slave configuration
Binary outputs	6×	14×	14×	Type A: 8× Hi-side 3A switches with BW detection Type B: 8× 3A switches configurable as: <ul style="list-style-type: none"> • Hi-side switches 3A with detection of broken wire • Low-side switches 3A • PWM switches 3A • Stepper motor drive
Total binary outputs (with additional modules)	14× + 15× (IGL-RA15)	78×	78×	32× in master – slave configuration
Analog inputs	3× Configurable (VDO, ohm, mA)	8× Configurable (VDO, V, ohm, mA, thermo coupler, PT100)	8× Configurable (VDO, V, ohm, mA, thermo coupler, PT100)	8 – 16× configurable (0 – 5V, 0 – 20mA, 0 – 24V, 0 – 2500Ohm, PT1000)
Total analog inputs (with additional modules)	7× + PT100	40×	40×	16 – 32× in master – slave configuration
Analog outputs	On external modules	On external modules	On external modules	0 – 8× configurable (voltage 0 – 75% Ubat or 0 – 10V or current 0 – 20mA)
Total analog outputs (with additional modules)	9× (1 + 8× gauges)	32×	32×	0 – 16× in master – slave configuration
External communication modules	IG-IB	IG-IB, I-CB, I-LB / I-LB+, I-CR	IG-IB, I-CB, I-LB / I-LB+, I-CR	–
Modem	External	External	External	Internal (Option)
GPS	No	No	No	Internal (Option)
Communication interfaces	1× CAN, 1× RS232, 1× RS485, 1× USB	2× CAN, 1× RS232	2× CAN, 1× RS232, 1× J1708	2× CAN, 1× RS485
ECU values	Fix set	Configurable	Configurable	Configurable
ECU – fault codes	Displays text or/and numeric codes	Displays text or/and numeric codes	Displays text or/and numeric codes	Displays text or/and numeric codes
Displays	Graphic back-lit LCD display 128×64	Graphic back-lit LCD display 128×64	Graphic back-lit LCD display 128×64	External: 4,25" / 6,5" / 8"
PLC – programmable functions	No	Yes	Yes	Yes
PC – tools	LiteEdit	DriveMonitor, InteliMonitor, DriveConfig	DriveMonitor, InteliMonitor, DriveConfig	DriveMonitor, DriveConfig
IP	Front panel IP 65 Rear side IP 20	Front panel IP 65 Rear side IP 20	Front panel IP 65 Rear side IP 20	IP 67
Engine network capability	Single engine	Up to 32 engines	Up to 32 engines	Single engine
History log out	Yes	Yes	Yes	Yes



About ComAp





ComAp

ComAp is a dynamic international company with a solid reputation for delivering innovative electronic solutions to the power generation, industrial engine and equipment markets. By providing customers with state-of-the-art products, ComAp has built a name for delivering excellent reliability and good value.

Excellent and reliable product solutions

ComAp specializes in creating electronic control and management solutions for use in the power generation industries and drive power markets. Our portfolio of products, software and accessories is designed to support emergency power, standby power generation and engine driven applications all over the world. We also work closely with our customers to develop unique customized and turn key solutions for ordinary and extraordinary applications delivering high standards of excellence on every project.



ComAp products represent some of the most reliable solutions on the market today. Every component and product undergoes the most rigorous standards during manufacture, with every stage being undertaken in accordance with international ISO 9001 certification. Our products are backed with the approvals from major Marine Certification

Societies. Accreditation at the highest-level breeds confidence, and every ComAp product is supplied with an appropriate warranty and after-sales support for complete peace of mind.

Professional partnerships

ComAp products are directly available in more than 60 countries, spanning almost every continent in the world. Through our professional and highly dedicated global distributor network we can satisfy customers' needs, however challenging.

Each ComAp distributor is carefully selected for their professionalism, product expertise and recognized quality standards and accreditation, and as such can advise customers on any matter relating to ComAp products and their applications.



People make the difference



ComAp's key strengths are flexibility, experience, knowledge and enthusiasm. This blend of values defines our personality and gives you the assurance of a truly honest and positive relationship. By

supporting our people, investing in their development and encouraging creativity, our teams work hard to find new opportunities, technologies and solutions that enable us to successfully help our customers solve their problems effectively.

At ComAp, we believe passionately in the importance of continuously developing new technology along with forward thinking software and hardware to maintain the enviable position as worldwide leader in communication and control for power generation and drive power applications.



At the heart of this process is a strong desire to exceed our customers' expectations by finding outstanding solutions for them and drawing upon the company's most valuable asset – people. Over 80% of ComAp employees are graduates with specialized electronic and programming knowledge appropriate to

the innovative development of market-orientated engine management systems. This unique know-how is matched by ComAp's significant investment at every stage of the research and development process, resulting in the creation of leading edge modern development facilities. ComAp consistently set high standards, reflected in our third place in the 'Best Employers Study in the Czech Republic' (conducted by Hewitt Associates) in consecutive years (2006 and 2007).

ComAp Systems

ComAp's expertise extends beyond innovative controllers to include a range of subsidiary businesses specializing in related services including bi-fuel conversions, power energy systems solutions and electronic component distribution.

These subsidiaries are located in key strategic regions around the world ensuring our customers benefit from local capability coupled with global reach. Most of them are named ComAp Systems and more information is available on each business at www.comapsystems.com.

Key Milestones

1991

Establishment of ComAp.

1993

Successful commissioning of four Gen-set Control Systems made by ComAp on Mediterranean islands.

1994

MX controller, the second generation of ComAp's gen-set control systems, was launched.

1996

PX, the revolutionary gen-set controller with configurable input and outputs, was developed.

1999

The strategic co-operation with HuegliTech Company significantly increased our distribution network.

2000

InteliGen, the first member of the Inteli family and flagship of our gen-set control systems, was released.

2001

ComAp Ltd. – 100% UK based ComAp subsidiary was established close to Bristol.

2002

InteliSys, our top end product dedicated to CHP and large engine control applications, was released. New mid-range product InteliLite was launched for AMF and MRS applications.

2004

InteliDrive controller for non gen-set, engine driven applications was released.

2006

ComAp LLC – ComAp subsidiary to promote products in the USA and Canada.

2007

InteliVision – the first color display unit in power generation field.

2008

InteliCompact – controller for simple paralleling gensets.



Manufacturer

ComAp, spol. s r. o.

Kundratka 2359/17 • 180 00 Praha 8 • Czech Republic

Phone: + 420 246 012 111 • Fax: + 420 266 316 647

info@comap.cz • www.comap.cz

Local Distributor / Partner

	<p>HUEGLI TECH AG (LTD) <i>The Engine & Genset Control Company</i></p> <p>Murgenthalstr. 30 4900 Langenthal / Switzerland Phone: +41 (0)62 916 50 30 Fax +41 (0)62 916 50 35 e-mail: sales@huegli-tech.com www.huegli-tech.com</p>
---	---