



Engine Governing Systems

Document: Test Protocol
Version: 1
Status: actual
Author: bs **Date:** 02-01-08
Approved: dh **Date:** 02-01-08
File: PC

ESD 5550
Test Protocol
for GenSet Applications



HUEGLI TECH LTD
 SWITZERLAND
 Tel.: + 41-62-916 50 30
 Fax: + 41-62-916 50 35

Customer

Contact person

Engine make

Model

Max. output (kW)

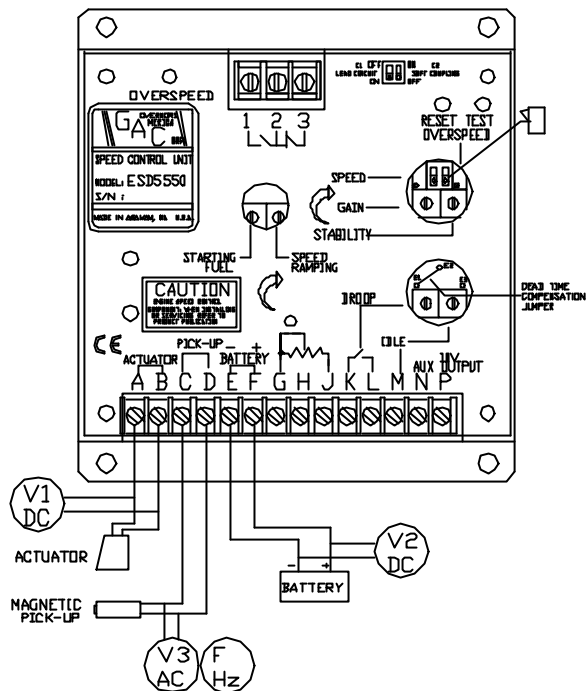
Nominal speed (RPM)

Pick up frequency (Hz)

Ring gear teeth

GAC Control Unit S/N

GAC Actuator S/N



Starting Cycle	V1	V2	V3	Amps	Adjustments				Results / Remarks
					Droop	Starting fuel	Speed ramp	Idle	
					0 max	0 max	0 max	0 max	Smokeless Start: Yes/No Speed overshoot: Yes/No

Settings at best governor performance	no engine load	50 % engine load	100 % engine load	Remarks
Actuator current A				
Actuator voltage V1				
Battery voltage V2				
Pick up voltage V3				
Best GAIN 1 setting				
Best STABILITY setting				
SW 2 settings	C1 C2 off on on off	C1 C2 off on on off	C1 C2 off on on off	switch position sample
Approx. Transients				Note dip and recovery time